

NEW XF SERIES CABS

EXTERIOR



The long-distance cab

The new XF is easily recognized from a distance by its modern, rounded lines, dominated by a large grille with aluminium strips on the louvres and a chromium plated upper section with DAF logo. In combination with the beautifully styled head lights, optional with LED technology, and the newly designed steel front bumper, a fresh and modern look was created. Fog lights, with or without cornering lights, are integrated in the bumper. A large area is available below the windscreen for the company name with logo.

A new cab floor and a new front bulkhead, needed to match the wider spaced cab suspension, are merely the hidden changes. More appealing are the directly visible changes that give the new XF its inviting, modern look.

Large access steps and handgrips make windscreen cleaning easy and safe. The telescopic windscreen wiper and de-icer, standard equipment in each XF, make cleaning even easier and safer.

Aerodynamics

Air management kits for the DAF new XF improve the aerodynamic efficiency and therefore reduce the fuel consumption. The net result is more earnings per kilometre. They also enhance the overall appearance of the vehicle and thus contribute to a positive image of the operator.

The air management options for the new XF Space Cab and Super Space Cab include fixed or adjustable roof spoilers and side collars.

Chassis side skirts for tractor models may complement the cab aerodynamics.

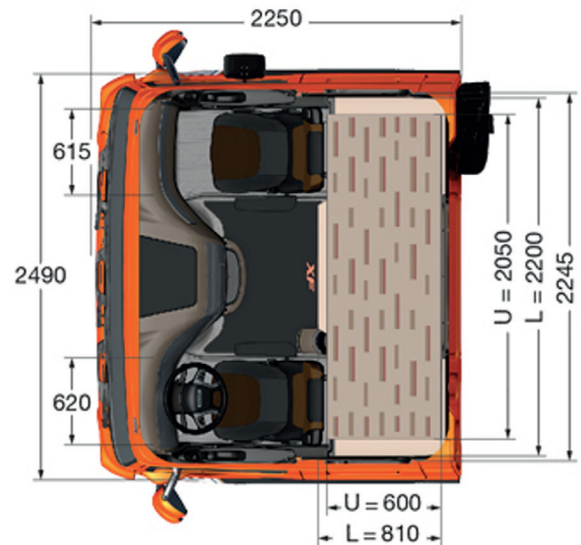
The adjustable roof spoiler on the Space Cab can be equipped with a spindle as an option. With the winding handle it is possible to adjust the roof spoiler while standing on the ground.

NEW XF SERIES CABS

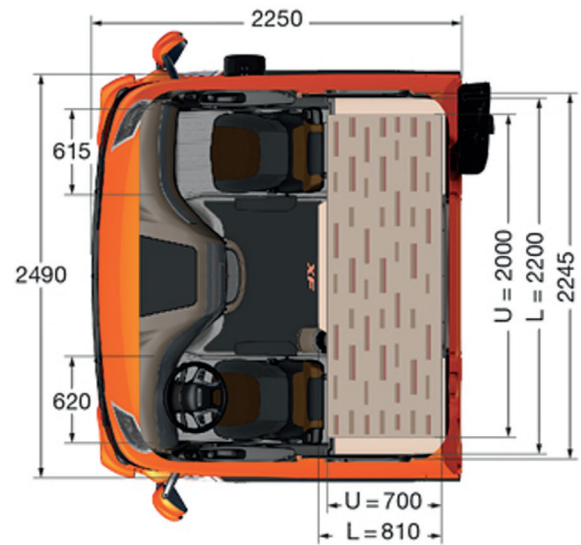
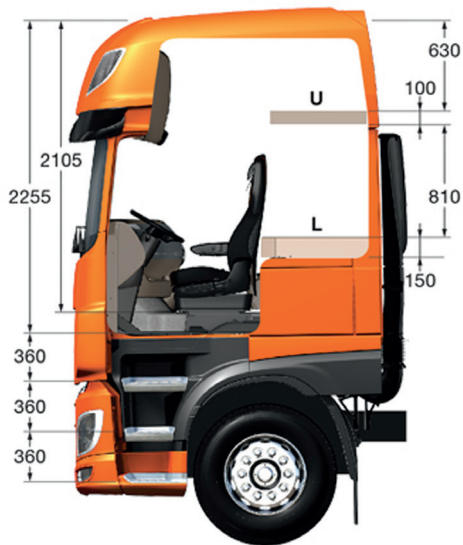
DIMENSIONS



Space Cab



Super Space Cab



NEW XF SERIES CABS

INTERIOR



Keep the good things, add even more

Its distinctive, right-angled box shape and its clever layout made the XF cab an all-time winner and the number one long haul tractor in Europe. Therefore DAF did not abandon a proven cab concept, but rather took the intrinsic values as a starting point for the development of a completely new interior.

Interior trim

New materials, new colour schemes, subtle ornaments and excellent workmanship have brought the whole cab interior at a clearly higher level.

Driving

Dashboard layout and ergonomics, 2 double-DIN slots, hanging brake pedal, new seat specifications and new driver supporting systems are just a few keywords that represent the overall improvement in terms of driving comfort and safety.

Living

The enormous living space in the XF cab has remained. As have the comfortable seating position on the bed, the standard extendible table leaf in the dashboard centre console and the large overhead lockers to put a microwave oven or a coffee-maker. The new cab trim and new items like cup/mug holders in the centre console and a waste bin make living in the XF cab even more agreeable.

Sleeping

All along, with a large, one-piece lower bunk mattress, the sleeping comfort in the XF cab has been recognized as the very best available in the market. By removing the bedside table, the bunk length could be increased by a further 100 mm.

A new large storage tray, including two cup holders and an accessory socket was placed against the cab rear wall. Additional insulation of the cab and specific measures to prevent rise of cold and damp from beneath the bunk have further improved the sleeping comfort.

Storage

The large overhead lockers and the unique large storage volume beneath the lower bunk left little room for improvement. New storage space for small items was created in the form of toll-card slots and swing-out cup holders, easy convertible to larger mug holders in the dashboard centre console and a storage tray against the cab rear wall.

NEW XF SERIES CABS

SPECIFICATIONS

	XF Space Cab	XF Super Space Cab
Cab suspension:		
Mechanical	●	●
Air	○	○
Auxiliary lights:		
Fog lights	●	●
Cornering lights	○	○
Skylights	-	○
LED headlamps	○	○
Ancillaries in cab colour:		
Cab step area and mudguards	○	○
Mirrors	○	○
Air intake	○	○
Door handles	○	○
Cab interior:		
Interior trim	Earth/Sky	Earth/Sky
Decoration strips Rustica or Argenta	○	○
Steering wheel leather	○	○
Airconditioning	●	●
Automatic temperature control	○	○
DAF Night Lock	○	○
Refrigerator	○	○
Lower bunk with drawer	○	○
Bed:		
Lower bed – foam mattress	●	●
Lower bed – Xtra Comfort mattress	○	○
Upper bed - Luggage bed	●	-
Upper bed – foam mattress	○	●
No upper bed	○	-
Centre curtain	○	●

- = basic
- = optional
- = not applicable

Depending on the vehicle configuration a specific option may not be possible. The availability and specification may differ per country. For further information please contact the DAF organisation. Subject to modification without prior notice.